



Small Charger Box – Build Manual

Thank you for purchasing a Foam-Flite small charger box. We designed this charger box out of a need for something to use at indoor events where small batteries are often used and there is no guarantee of on site power. With this box we can hold our charger a 3-4 cell lipo to power the charger and many 1-2 cell batteries for a day for indoor flying.

The small charger box will fit many of the 50 watt DC chargers on the market today. The battery bay has room for a 3s to 4s 5000mah lipo battery that should keep the charger running for most of a day. The two drawers can hold plenty of charged and discharged batteries and are magnetically held shut so the drawers won't slide out on their own.

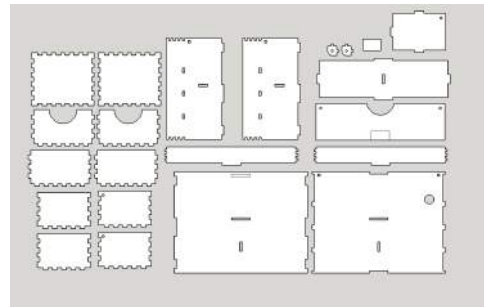
Your kit includes:

- 35 - Laser cut wood parts
- 7 - 1/8" x 1/8" Magnets

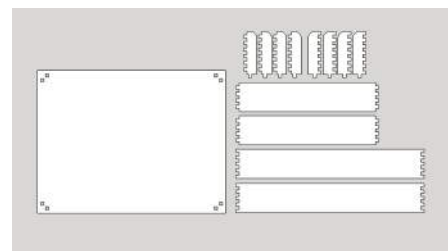
You will need your choice of glue. We have used CA, Epoxy and Wood Glue with great success. You can choose to glue the pieces as you go or to dry fit the pieces and then add Thin CA once it is all assembled. You may also want a pair of pliers to help set the magnets in place.

Start by organizing the parts and making sure they are all accounted for. The magnets and small parts are all located in the small bag.

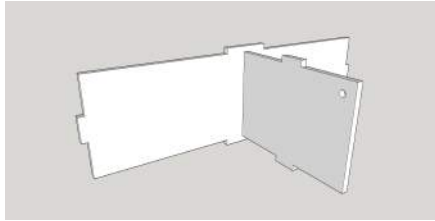
Main Charger Box Parts



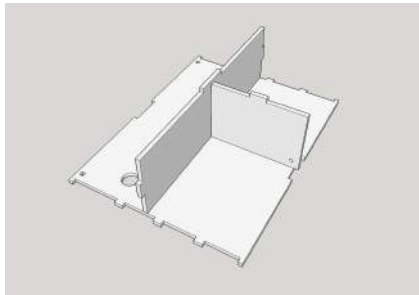
Top Cover Parts



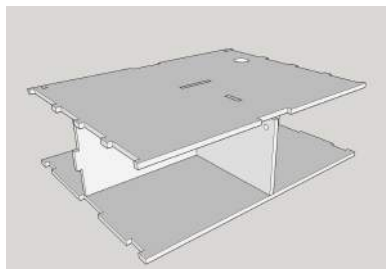
- 1) Locate the upper shelf piece the long battery bay divider as well as the small drawer divider. Fit the two dividers together.



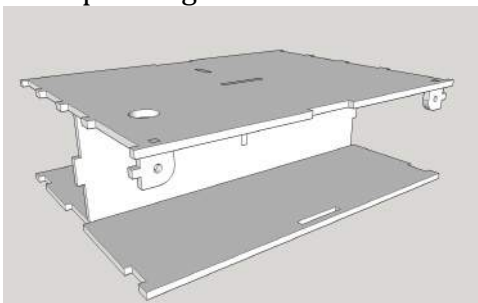
- 2) Fit the dividers into the top shelf piece. Make sure you have the hole for the power cables on the side you want them on. It can fit either way.



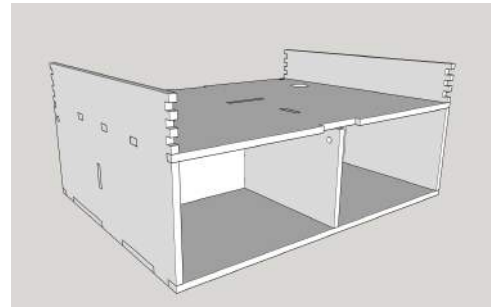
- 3) Place the bottom plate of the charger box onto the divider plates then turn the box upright.



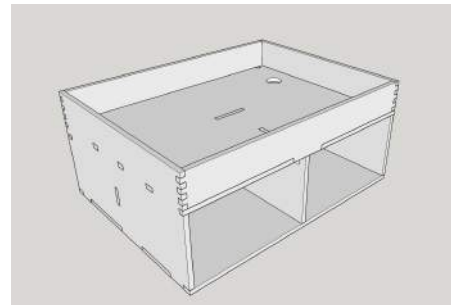
- 4) Locate the small wooden tabs. Glue the tabs into the top shelf with the small tabs pointing to the outside of the box.



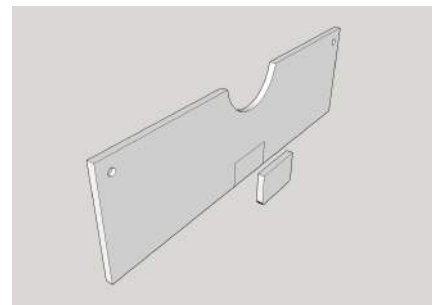
- 5) Locate the side plates and fix the to the box make sure to press all the tabs in tightly.



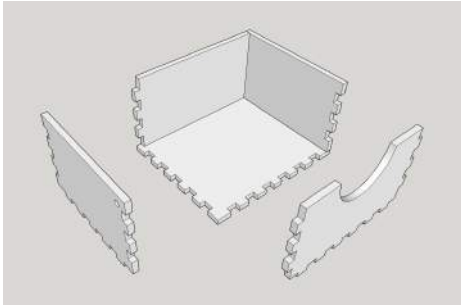
- 6) Locate and fix the front and back rails.



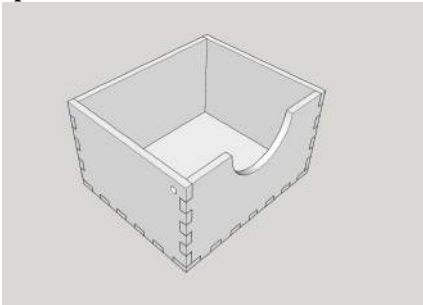
- 7) Locate the battery hatch piece and the small tab. There is an etching outlining where the tab should be glued onto the hatch. Use thick CA, Epoxy or wood glue. Do not use Thin CA on this part. Glue the tab to the hatch.



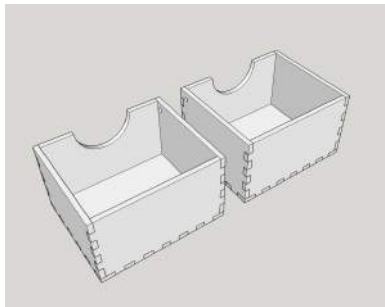
8) Locate the 5 pieces for one drawer. Start with the base and add the rear piece and one side.



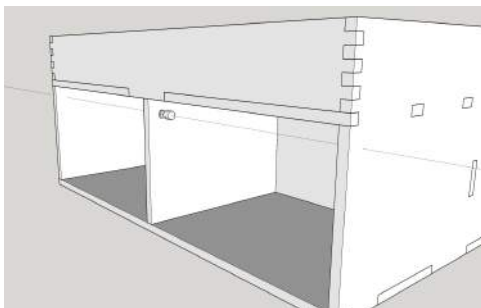
9) Next glue on the second side and the front piece.



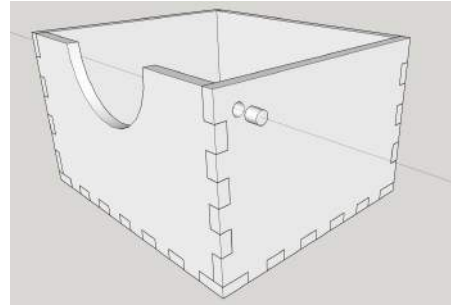
10) Repeat steps 8 and 9 for the second drawer.



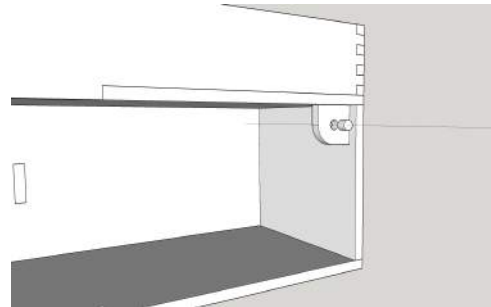
11) Locate the magnets and start by placing one in the drawer divider.



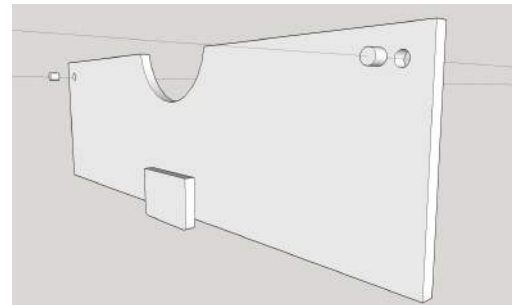
12) Make sure you check the polarity of the magnets and glue the magnets into the drawers so they will connect to the magnet in the drawer divider.



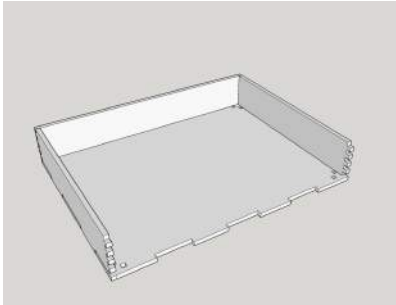
13) Next glue the magnets into the tabs on the back for the battery hatch. It helps to make sure they are glued in the same direction as each other so the magnetic pull is the same.



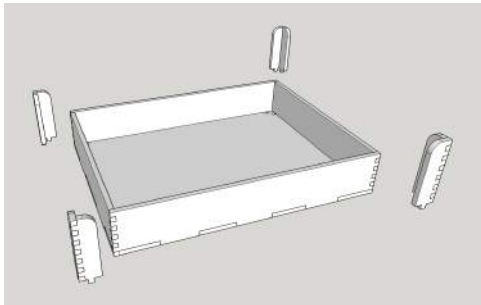
14) Now check the direction of the magnets on the tabs and glue the remaining two magnets into the holes on the battery hatch so that they are pulled into the bay.



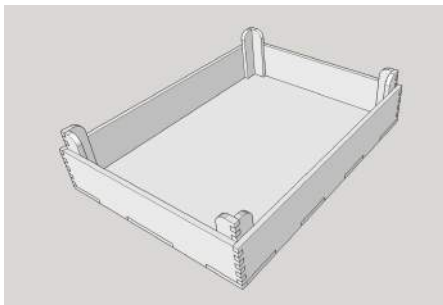
- 15) Locate the top cover pieces. Start by installing the long box ends and one side. Make sure they fit tight and glue in place. Then fit the final end piece.



- 16) Locate the corner pieces and glue the pairs together.



- 17) Glue the corner pieces into the tabs and tightly against the edge wall pieces.



Your charger box is now assembled. You can fit your choice of battery in the back compartment and run the wires down to it.

Thank you for your purchase and if you have any questions or concerns about your Foam-Flite Small Charger Box please contact us at:

sales@foam-flite.com

www.foam-flite.com